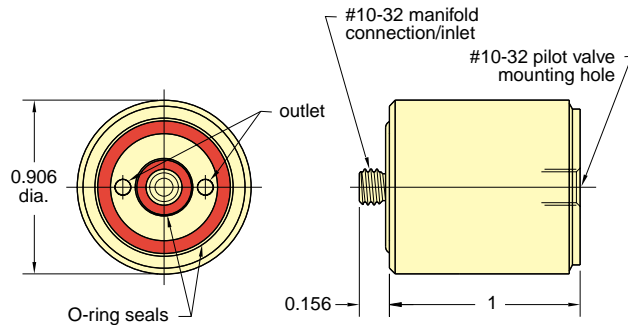


## EVB-2

EC, EV and ET Piloted 2-Way Valve, Manifold Mount

**Electronic Valve Booster** Amplifies the flow capacity of EC, EV and ET type valves by over twelve times. Manifold style electronic valves mount onto booster body, which, in turn, mounts on Clippard manifolds.



**Type:** 2-Way Normally Closed, Pressure Piloted Valve

**Medium:** Air

**Input Pressure:** 20 to 150 psig

**Air Flow:** 6.1 scfm @ 100 psig

**Response:** 20 milliseconds at 20 psig  
13 milliseconds at 100 psig

**Mounting:** Mounts to manifold

**Ports:** Inlet and outlet through manifold

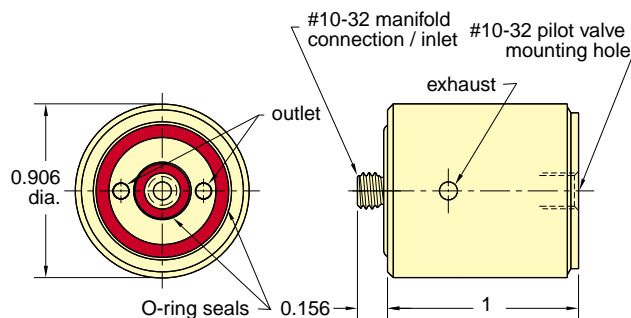
**Materials:** Nickel plated brass, acetyl, stainless steel and Buna-N

**Additional Note** Use only normally closed 3-way pilot valves in conjunction with EVB-2

## EVB-3

EC, EV and ET Piloted 3-Way Valve, Manifold Mount

**Electronic Valve Booster** Amplifies the flow capacity of EC, EV and ET type valves by over twelve times. Manifold style electronic valves mount onto booster body, which, in turn, mounts on Clippard manifolds.



**Type:** 3-Way Normally Closed, Pressure Piloted Valve

**Medium:** Air

**Input Pressure:** 20 to 150 psig

**Air Flow:** 6.1 scfm @ 100 psig

**Response:** 20 milliseconds at 20 psig  
13 milliseconds at 100 psig

**Mounting:** Mounts to manifold

**Ports:** Inlet and outlet through manifold

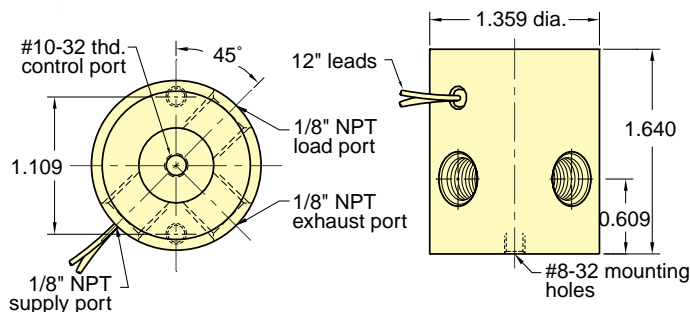
**Materials:** Nickel plated brass, acetyl, stainless steel and Buna-N

**Additional Note** Use only normally closed 3-way pilot valves in conjunction with EVB-3

## 2013 - □

Electronic Fluidamp

Low-power DC solenoid solid state output signals can be directly converted to high pressure pneumatic power without amplification



**Type:** 3-Way Normally Closed, Electronic Valve

**Medium:** Air

**Input Pressure:** 30 to 100 psig

**Air Flow:** 22 scfm @ 100 psig

**Bleed Flow:** 0.10 scfm @ 100 psig

**Filtration:** 10 micron

**Frequency Response:** 50 Hz @ 100 psig  
70 Hz @ 30 psig

**Ports:** 1/8" NPT female

**Switching Speed:** 10 milliseconds

### Electrical Data

**Continuous Overload:** 350% @ 25°C ambient  
250% @ 50°C ambient

**Power Consumption:** Less than .50 watts at rated voltage (80 ma. @ 6V, 40 ma. @ 12 V, 20 ma. @ 24V)

**Leads:** 28 gauge stranded P.V.C. insulated

**Standard Options:** 2013-6 6 volts DC  
2013-12 12 volts DC  
2013-24 24 volts DC